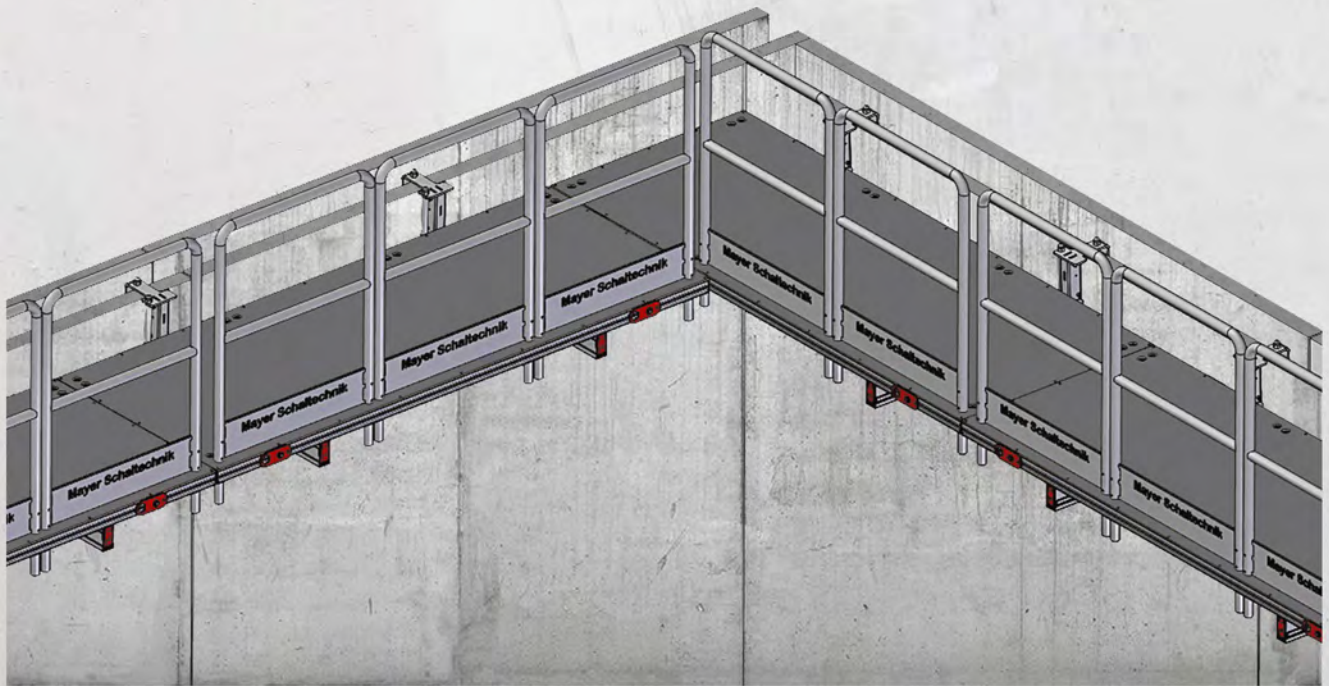


sigeMAX



MAYER
Schaltechnik

MAXimal
innovativ



sigeMAX - CONCRETING PLATFORM

High quality coupled with easy handling

The sigeMAX concreting platform with a guard rail entirely enclosing the platform itself and optionally with an additional guard rail on the formwork panel fits on any **standard cavity wall** and **panel formwork systems**. The system combines high quality with fast and easy handling, which means a long service life for your capital investments, coupled with cost savings, thanks to application-orientated fitting.



sigeMAX concreting platform



MST pallet cage (stackable)
up to 16 guard rails and 16 suspension heads

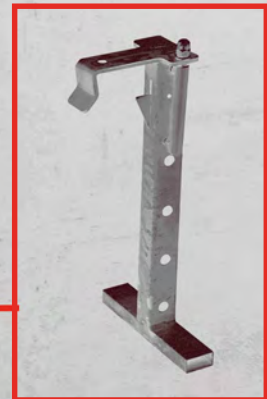
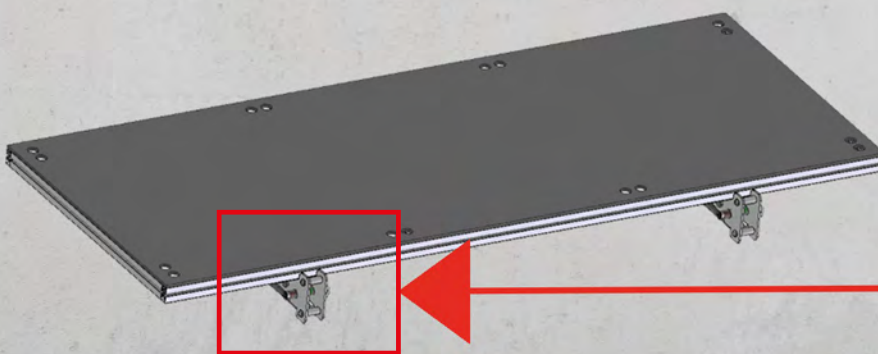


The benefits:

- ▲ Independent of the weather, ready for immediate use
- ▲ Technically contiguous solution
- ▲ No more repeat purchase of boards necessary
- ▲ Maximum permissible distributed load of 150kg/m² // scaffolding group II
- ▲ Wide, safe work surface according to the highest safety standards
- ▲ Quickly hung in/inserted
- ▲ No time-consuming, costly fitting of individual walkway brackets
- ▲ Both craneable and crane-independent
- ▲ **Identical guard rail size independent of installation position**
- ▲ **For use in conjunction with cavity walls and all common panel formwork systems**

sigeMAX - THE SYSTEM

The basic standard platform is available in the sizes 240x94 cm and 160x94 cm. With the floor panel it weighs less than 50 kg - which means it is significantly lighter than comparable products from other manufacturers. The suspension heads are installed quickly and easily by means of a snap-in mechanism.



Just pull back the bolt and lock in place > no small parts to be lost, captive design

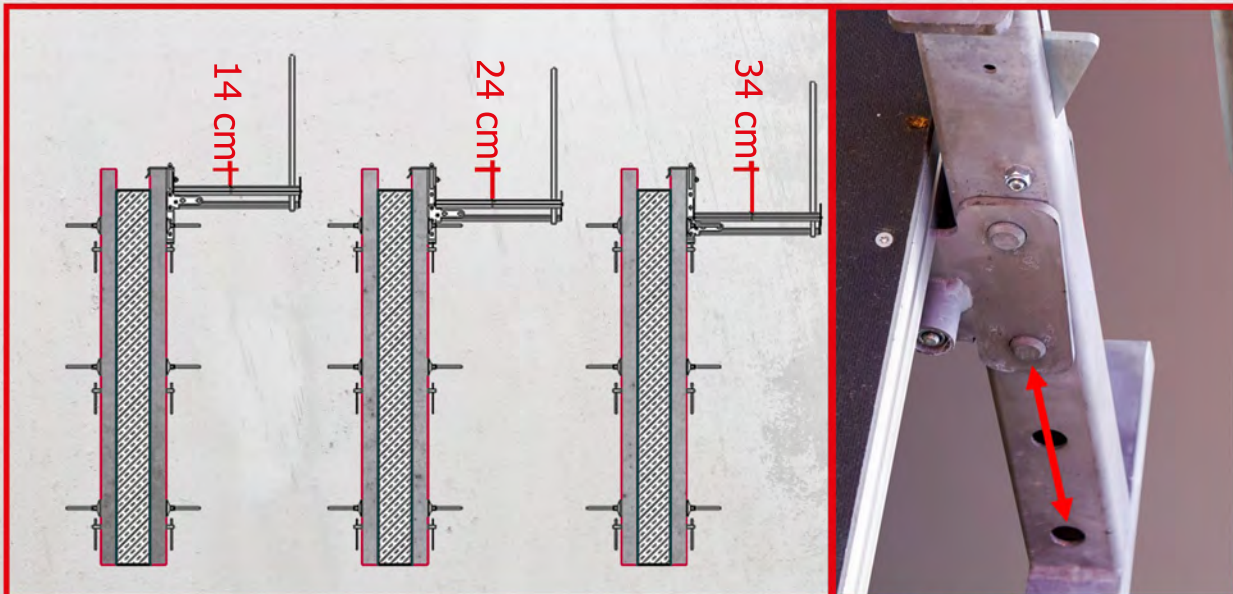


sigeMAX - THE SYSTEM

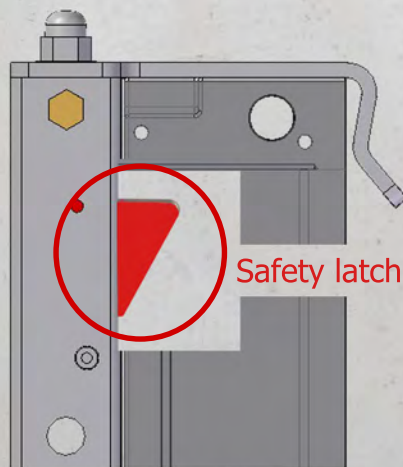
Straight off the stacking pallet, the sigeMAX concreting platform can be adapted for the application in hand. As soon as the suspension heads have been bolted in place and the guard rails inserted as needed, the unit is easily craneable and ready for use thanks to the adjustable lifting eyes on both sides.



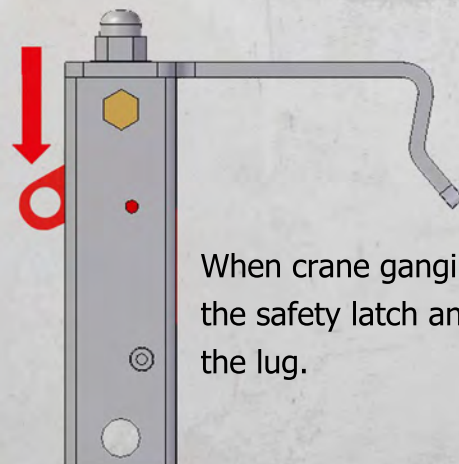
sigeMAX - THE SYSTEM



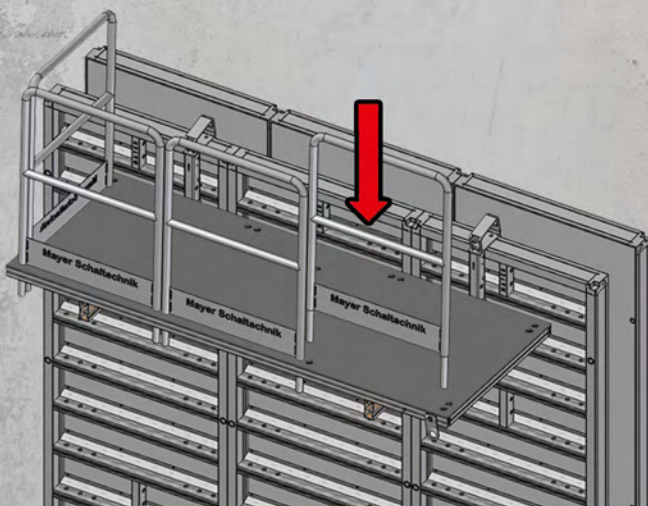
The vertical working height on the platform can be individually adjusted to match the ergonomic needs of the worker in 10 centimetre intervals, thanks to the hole grid



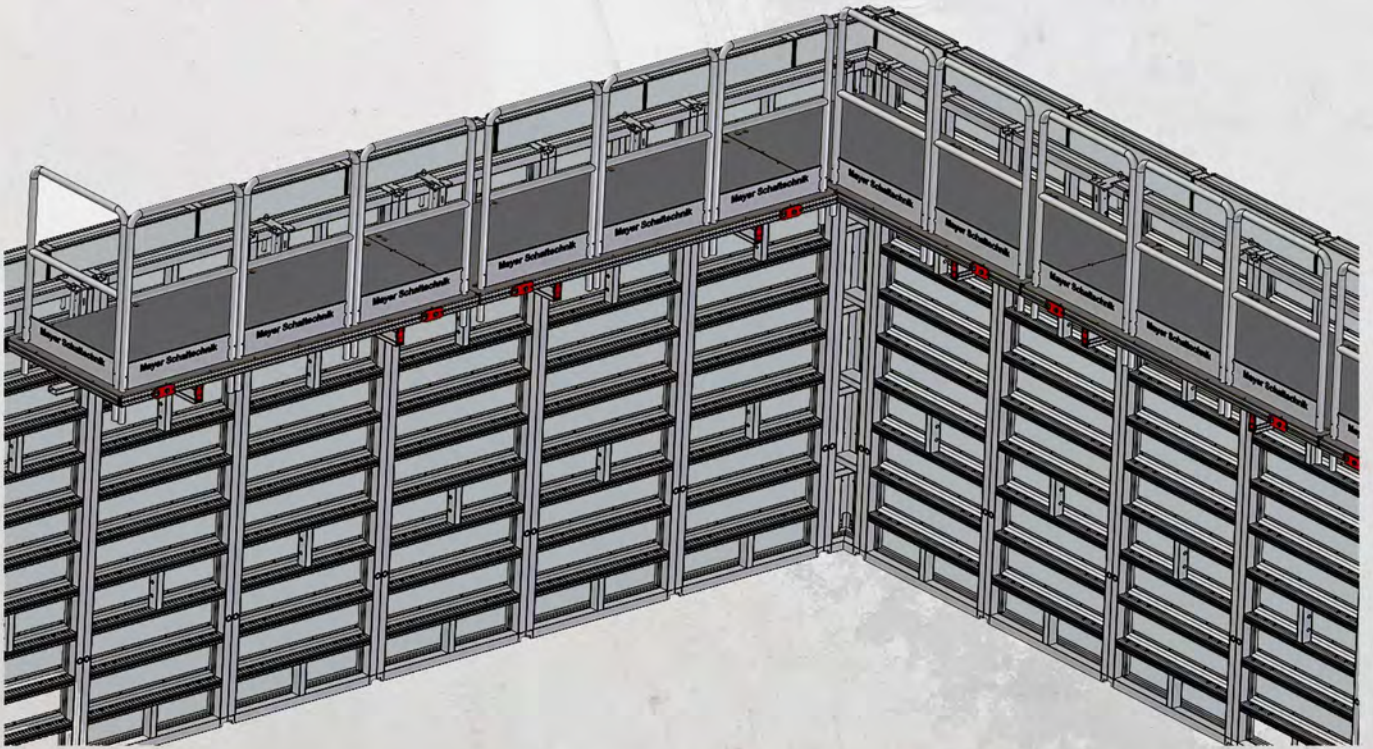
Platform secured against unhooking



When crane ganging, push in the safety latch and press down the lug.



The guard rails are inserted either before or after the suspension process and provide maximum flexibility and protection. Depending on the work task, individual guard rails can be easily removed or added. Since all the rail sections are of identical size, they can be used anywhere.



Adaptation instructions for switching from cavity wall use to panel formwork use

1.

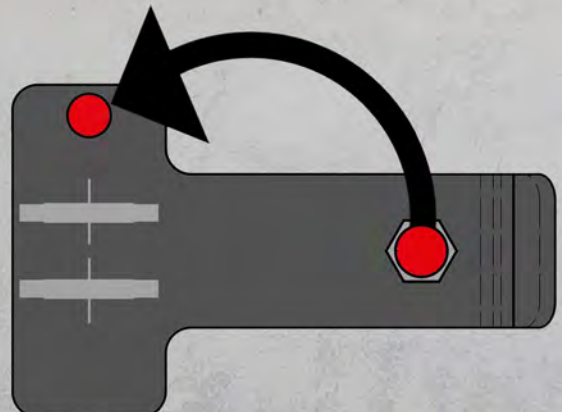
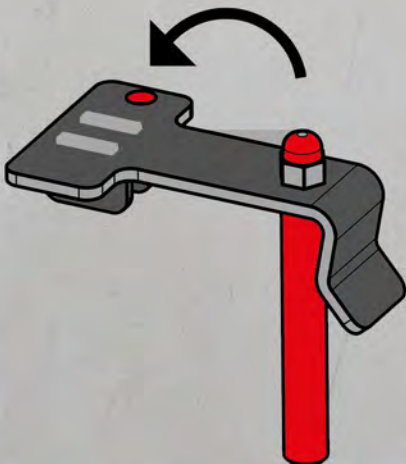


Remove the bolt from the position for cavity wall use

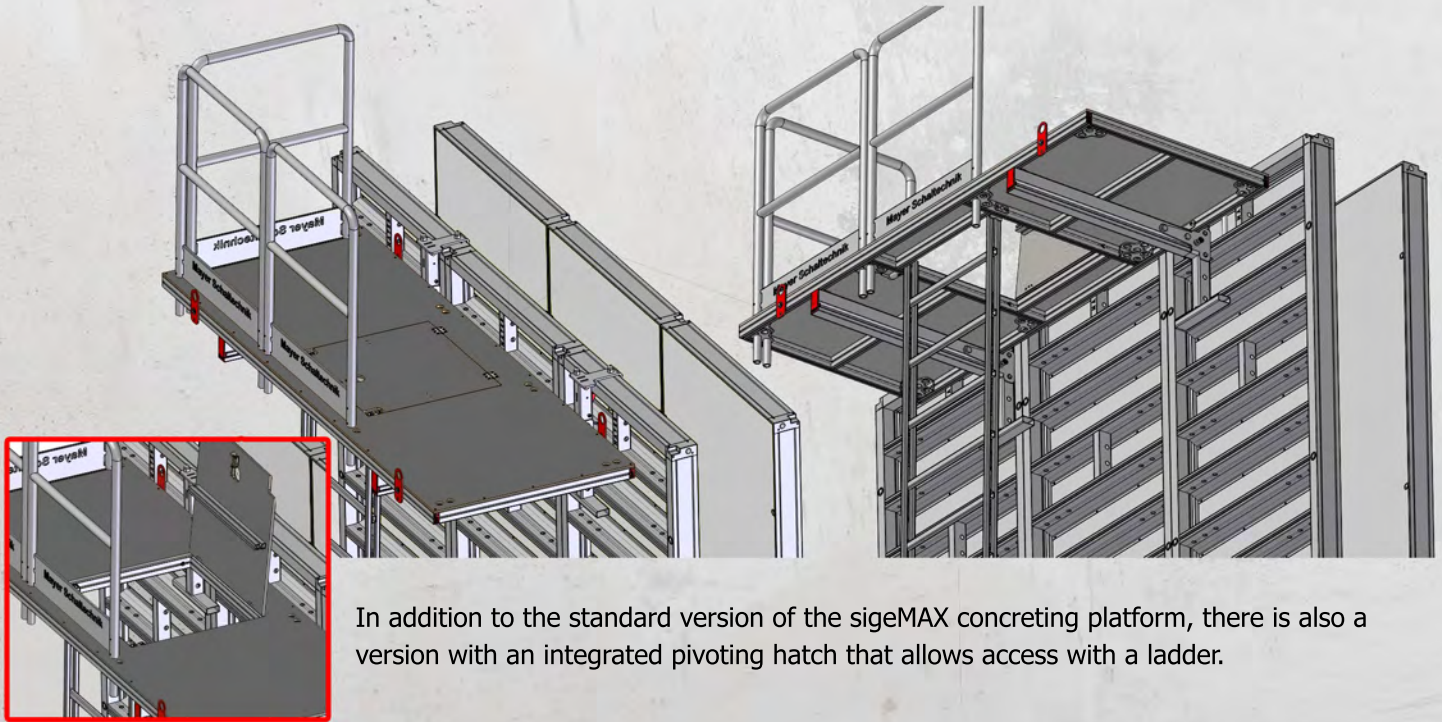
2.



Place the bolt in the parking position



sigeMAX - THE SYSTEM

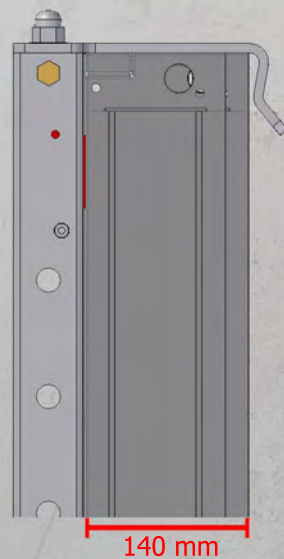


In addition to the standard version of the sigeMAX concreting platform, there is also a version with an integrated pivoting hatch that allows access with a ladder.

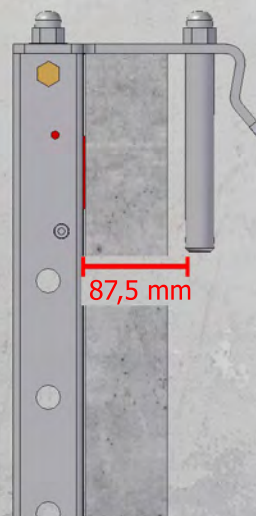
sigeMAX
suspension head 12
(For use on panel formwork)



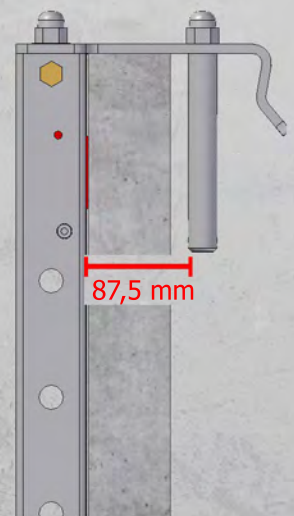
sigeMAX
suspension head 14
(For use on panel formwork)



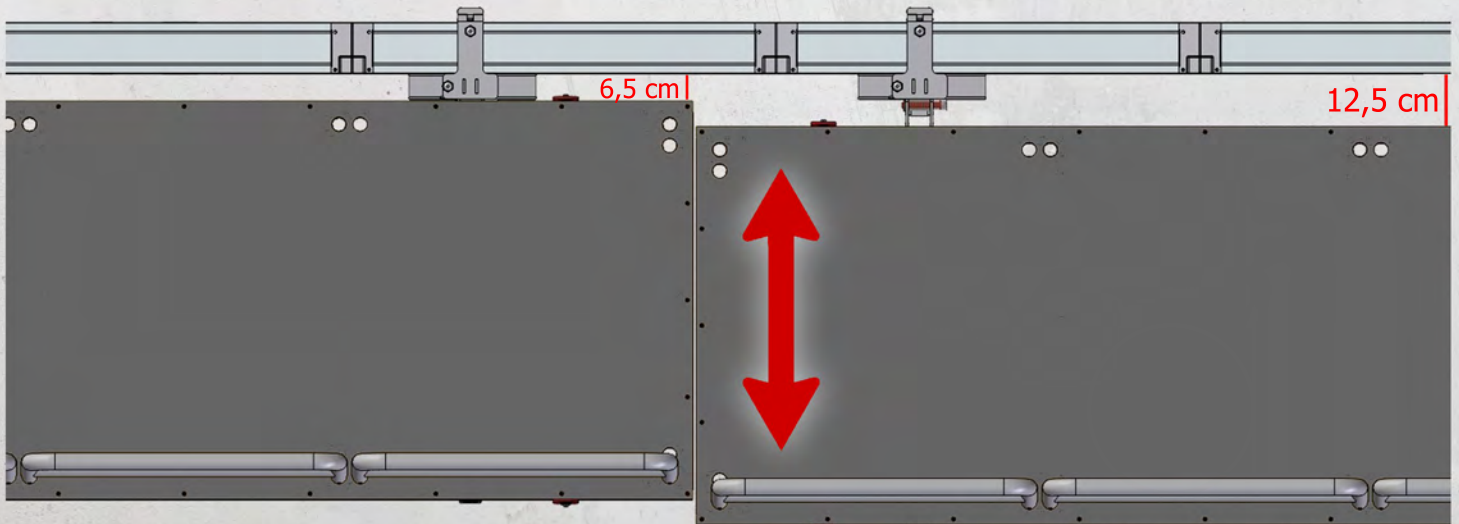
sigeMAX
suspension head 12
(For use on cavity walls)



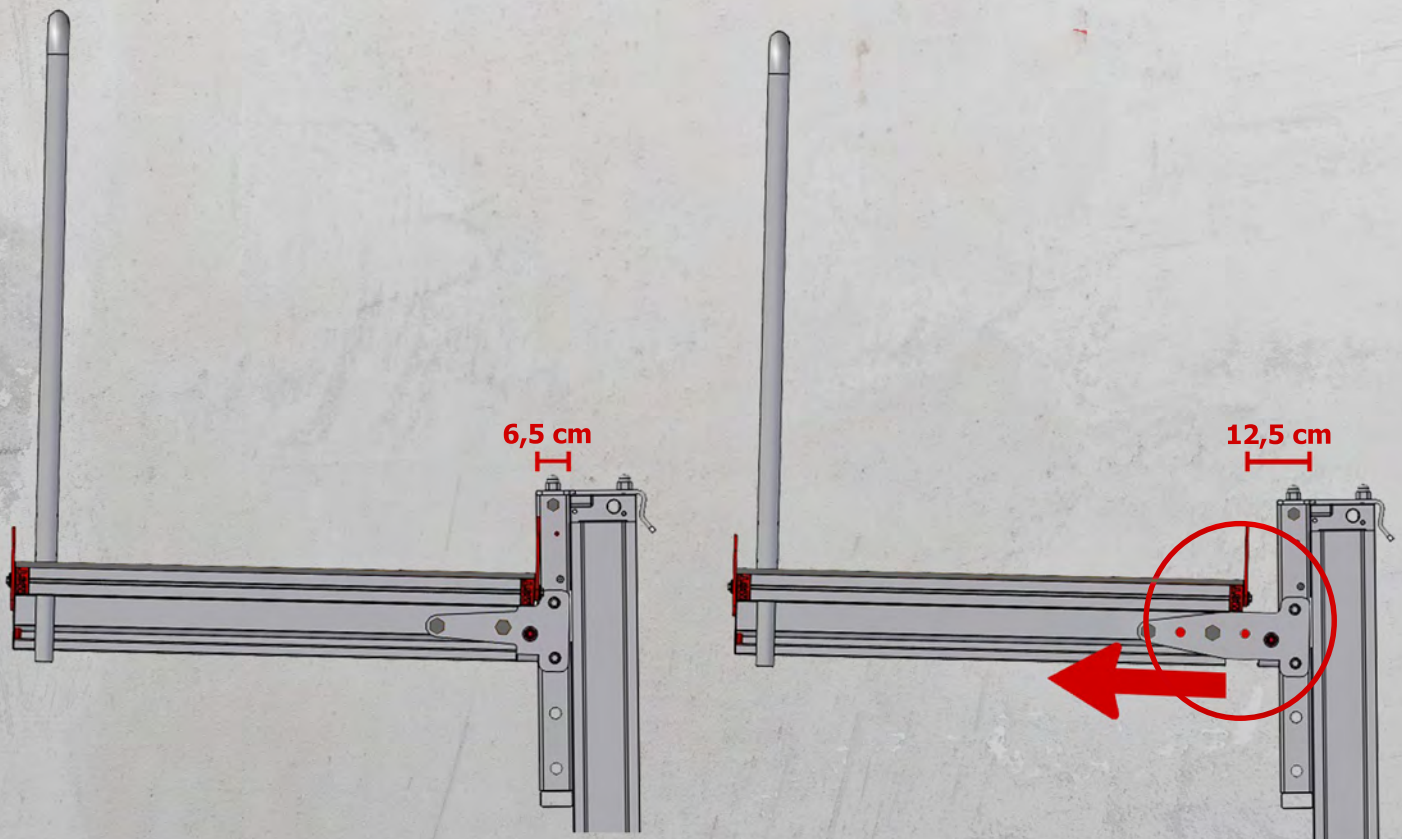
sigeMAX
suspension head 14
(For use on cavity walls)



sigeMAX - FLOOR PANEL ADJUSTMENT



The clearance of 6.5 cm between the floor panel and the formwork can be increased by 6 cm thanks to the adjustable suspension mount using the aluminium beams to enable the use of an alignment rail.

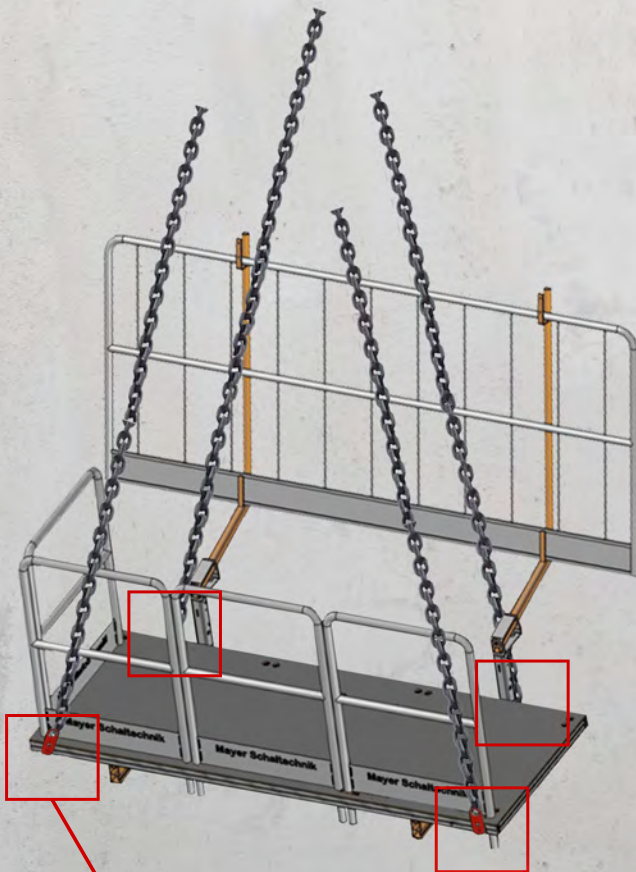
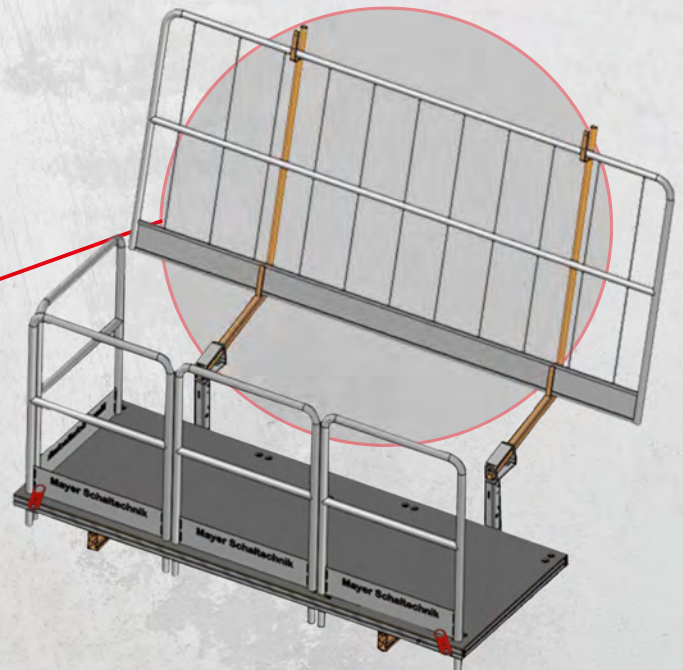


sigeMAX - GUARD RAILS

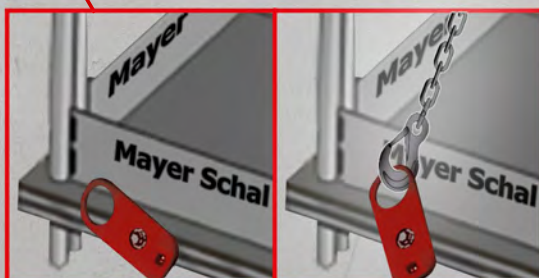
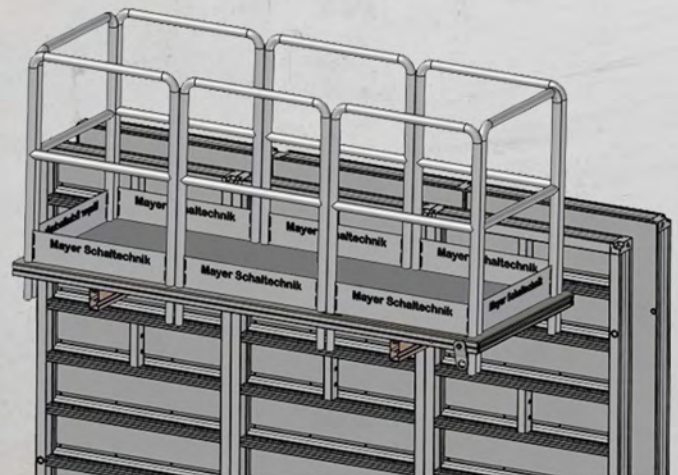
RICO-SAFE GUARD RAILS

To provide all-round protection, the "Rico-Safe" guard rails can be purchased as an option for the formwork side.

They can be configured and craned straight from the stack



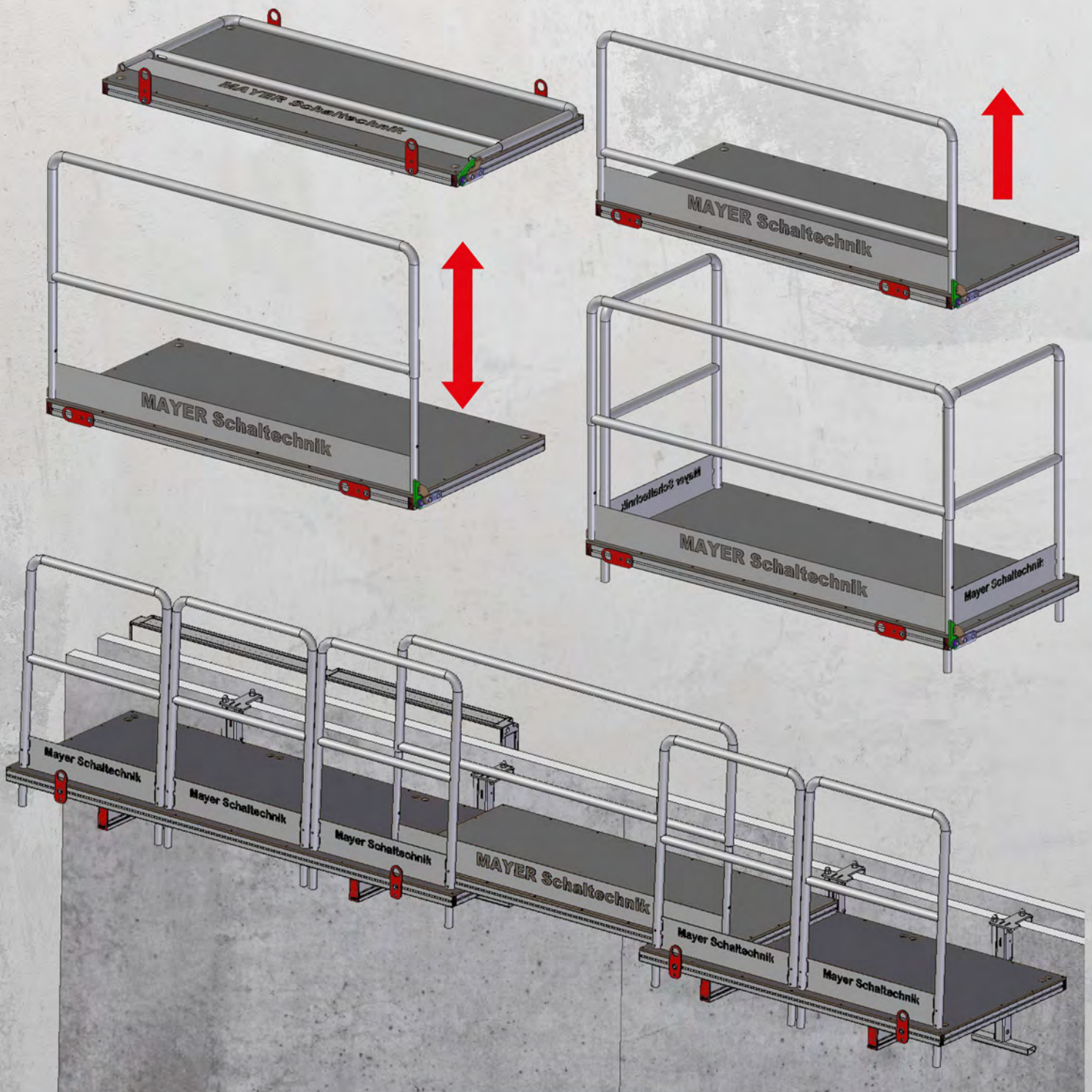
An alternative to the "Rico-Safe" is complete configuration with guard rails inserted.



When crane ganging, the platform is slightly inclined towards the formwork so that it can be easily hooked in and unhooked. The lifting eyes on the formwork side are attached with the lower hole, the ones on the other side are attached using the upper hole and should not be removed.

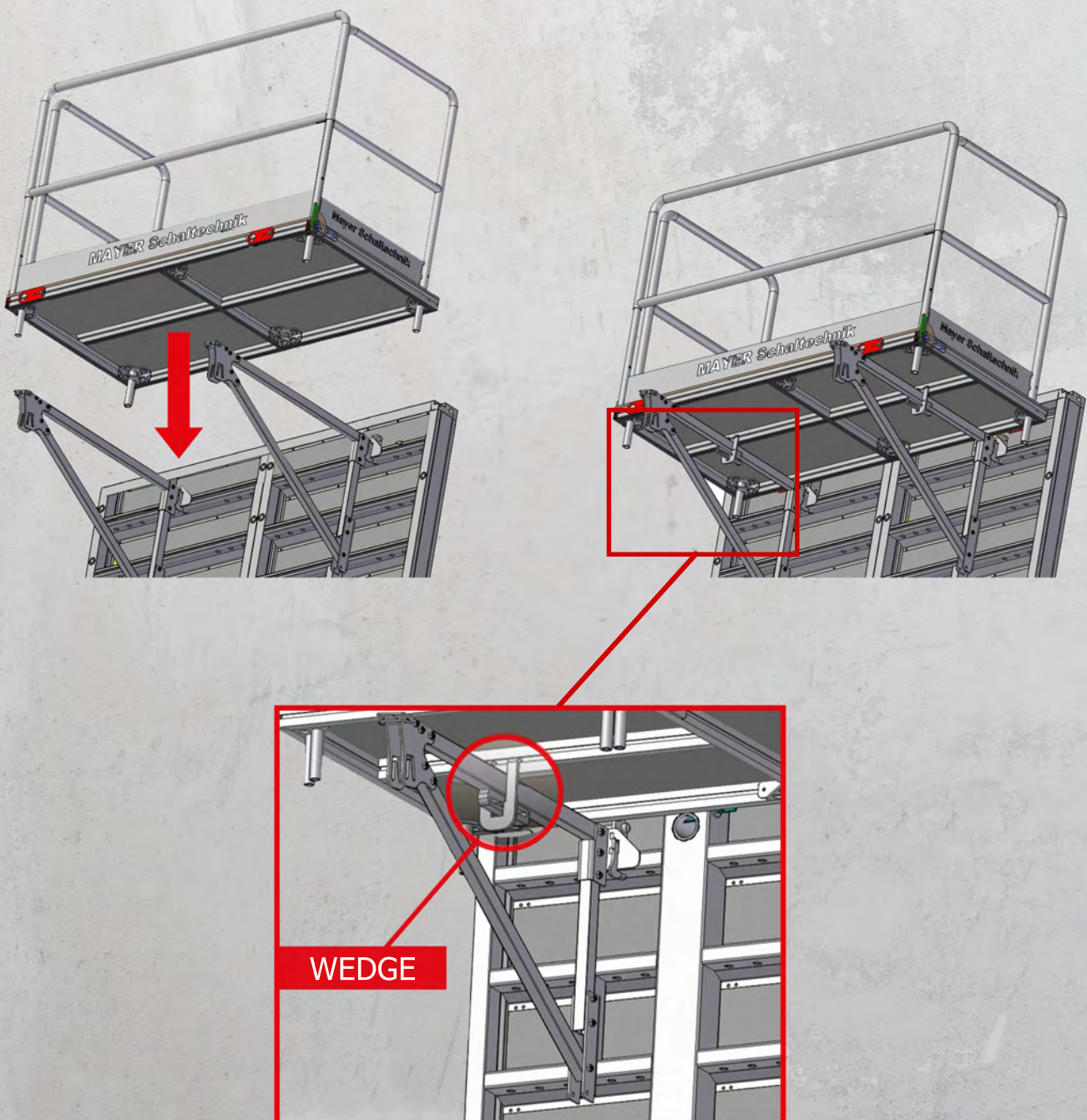
sigeMAX - PLATFORM FOR LENGTH COMPENSATION

The sigeMAX platform with the integrated folding rail and self-locking telescopic mechanism can be ideally used as a bridge for extending the length between standard concreting platforms. Laterally arranged guard rails can easily be inserted to afford protection. Thanks to the innovative folding mechanism, straight forward transport and easy handling are always guaranteed. The sigeMAX platform is also suitable for crane ganging.



sigeMAX - PLATFORM WITH UNIVERSAL SCAFFOLD BRACKETS

The sigeMAX platform – together with the folding rail – can be effortlessly combined with universal scaffold brackets. Connecting the parts requires only the wedges and, thanks to its light weight, it is crane-independent.



ITEM LIST

ITEM NUMBER		WEIGHT	
1001200	sigeMAX concreting platform 240x94 cm	48,5 kg	
1001201	sigeMAX concreting platform 160x94 cm	37,5 kg	
1001202	sigeMAX concreting platform 240x94 cm with hatch	52,0 kg	
1001400	sigeMAX suspension head 12	5,7 kg	
1001410	sigeMAX suspension head 14 (other sizes on request)	5,7 kg	
1001500	sigeMAX guard rails	10,6 kg	
1002002	sigeMAX platform for extensions and universal scaffold brackets with integrated folding rail	56,4 kg	
1001100	wedge for sigeMAX platform	0,8 kg	
1001510	sigeMAX handrail post Rico		
1001520	sigeMAX protective grid Rico		
5500385	sigeMAX installation kit for cavity wall concreting platform	0,05 kg	

Please note

The instructions for assembly and use explain, based on common applications in practice, how to assemble, use and dismantle the Mayer Schaltechnik materials described here in a safe, proper, quick and economical manner. To enable easier recognition and understanding of the details described in the copy, the illustrations do not always represent the full situation in terms of safety. In the event of applications not described here and for special cases, please contact us – we will be pleased to help you without delay.

When using our products, country-specific and local occupational health and safety regulations etc. must be observed. The assembly instructions to be drawn up by the construction company on a project-specific basis are intended to reduce the typical risks specific to a construction site. The following information must be included in those instructions:

- > The sequence of operations including assembly and dismantling
- > The weight of the individual units and system components
- > The arrangement, number and dimensions of the concrete scaffolding (working platforms) including the necessary protection against falling and traffic routes.
- > The sling attachment points for crane ganging the items. To this end, the present work instructions must be observed, as deviations require separate, static verification.

Important: in all cases, only materials that are in flawless condition may be used. Any damaged parts must be excluded from further use. Only original Mayer Schaltechnik replacement parts may be used.